

MAIN INFO

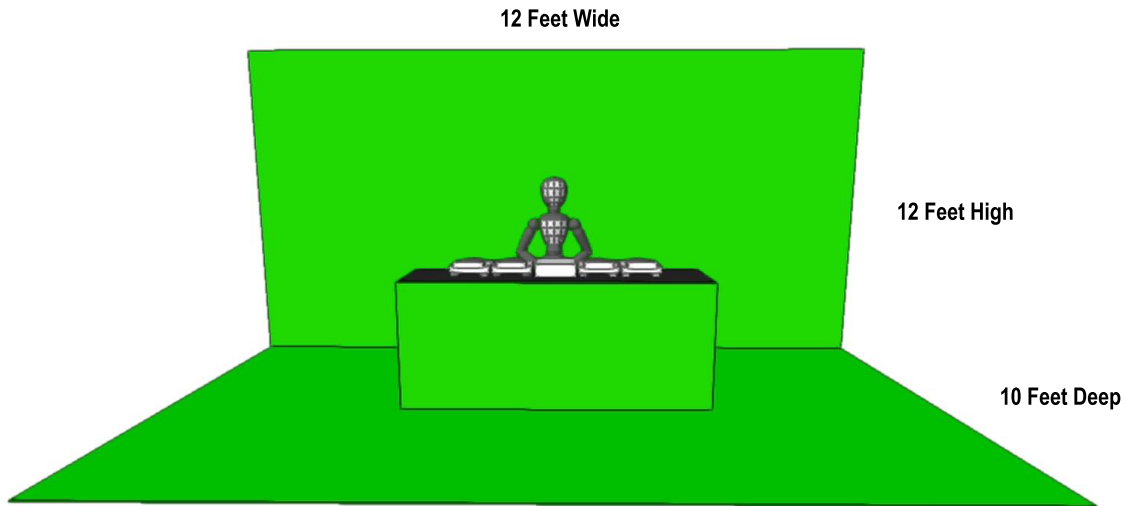
- 12 Feet x 12 Feet Chroma Key green screen.
- Front view Sony 4K camera (26mm lens – 30fps) on adjustable wall arm.
- Additional top and side view cameras.
- DJ table with adjustable sizing.
- Complete El Gato streaming lighting.
- Chromakey fabric to cover the front of the DJ booth (approx 4 Feet x 8 feet)
- DJ Equipment (Pioneer DJM V-10 Mixer, 2 Pioneer CDJ 3000S, 2 Pioneer CDJ 2000NXS2)
- Zoom H6 digital recorder available to record artist set from DJ mixer.
- 2x floor wedges for DJ Monitoring.
- Live VJ (recording and livestream all visuals)
- Sound engineer to assist with DJ equipment setup, monitors and recording audio.

INSTRUCTIONS

Please follow the instructions below carefully to ensure results are consistent with our studio.

Do not deviate from any measurements featured within the instructions below.

If you have any questions please email info@anonymousstudios.com.



1. DJ TABLE SETUP

- The DJ table is placed centrally in front of the green screen.
- The back edge of the DJ table is placed exactly 2 feet in front of green screen.
- The front of the DJ booth is dressed with green screen material.

2. DJ MONITORS

- Left and right floor wedges are kept out of sight (under the DJ booth).
- The monitors are controllable by the DJ via the 'booth control' on the DJM V-10 Mixer.

3. CAMERA SETUP

- Filming is done with 26mm lens and 30fps..
- The camera is placed 10 feet in front of the DJ table.
- The camera lens is positioned exactly 5 feet high.

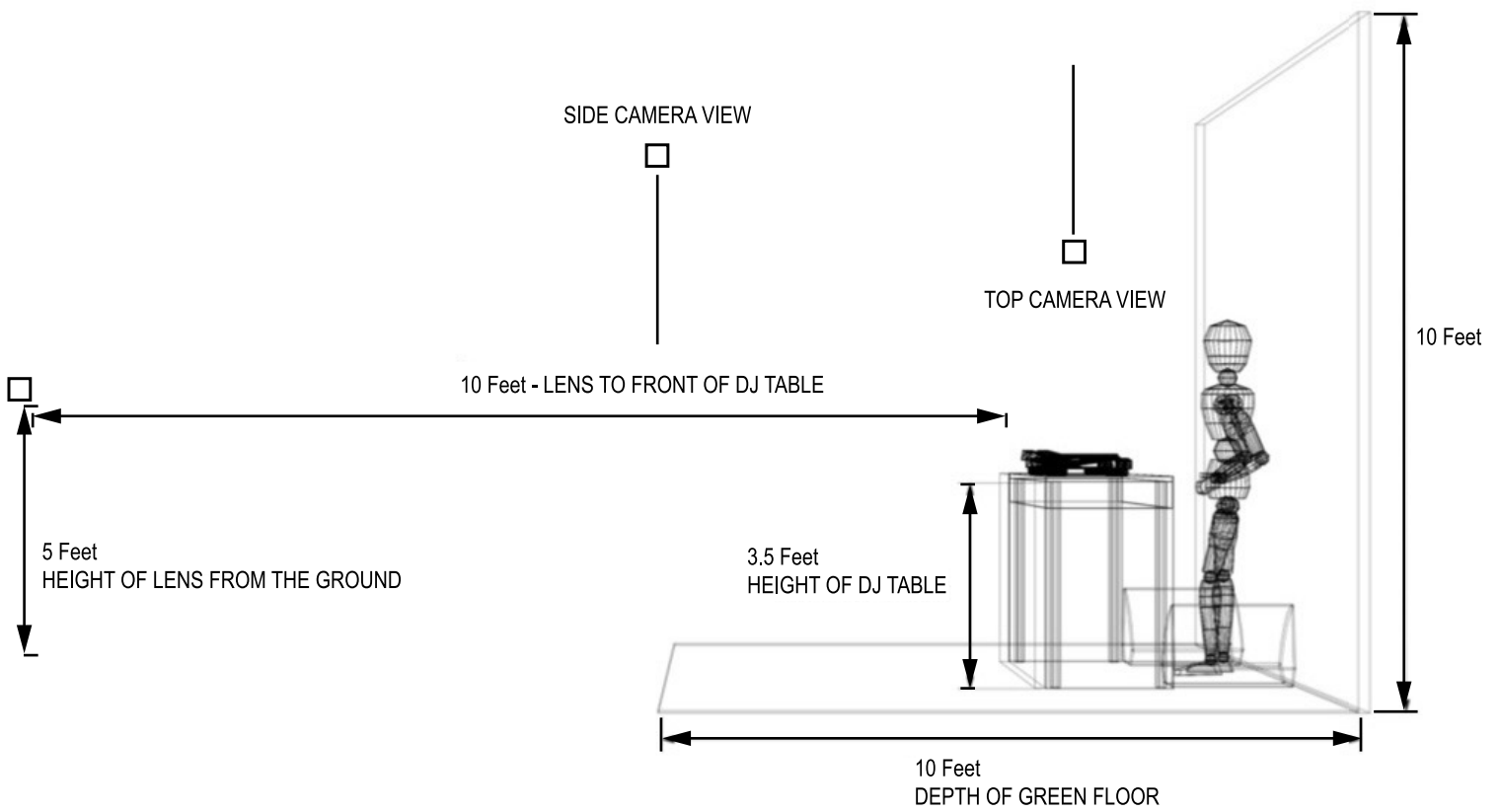
4. RECORDING THE AUDIO

- Audio is recorded directly from the DJM V-10 Mixer into the recording unit Zoom H6.
- Recording is set at -6db to avoid any clipping or distortion.

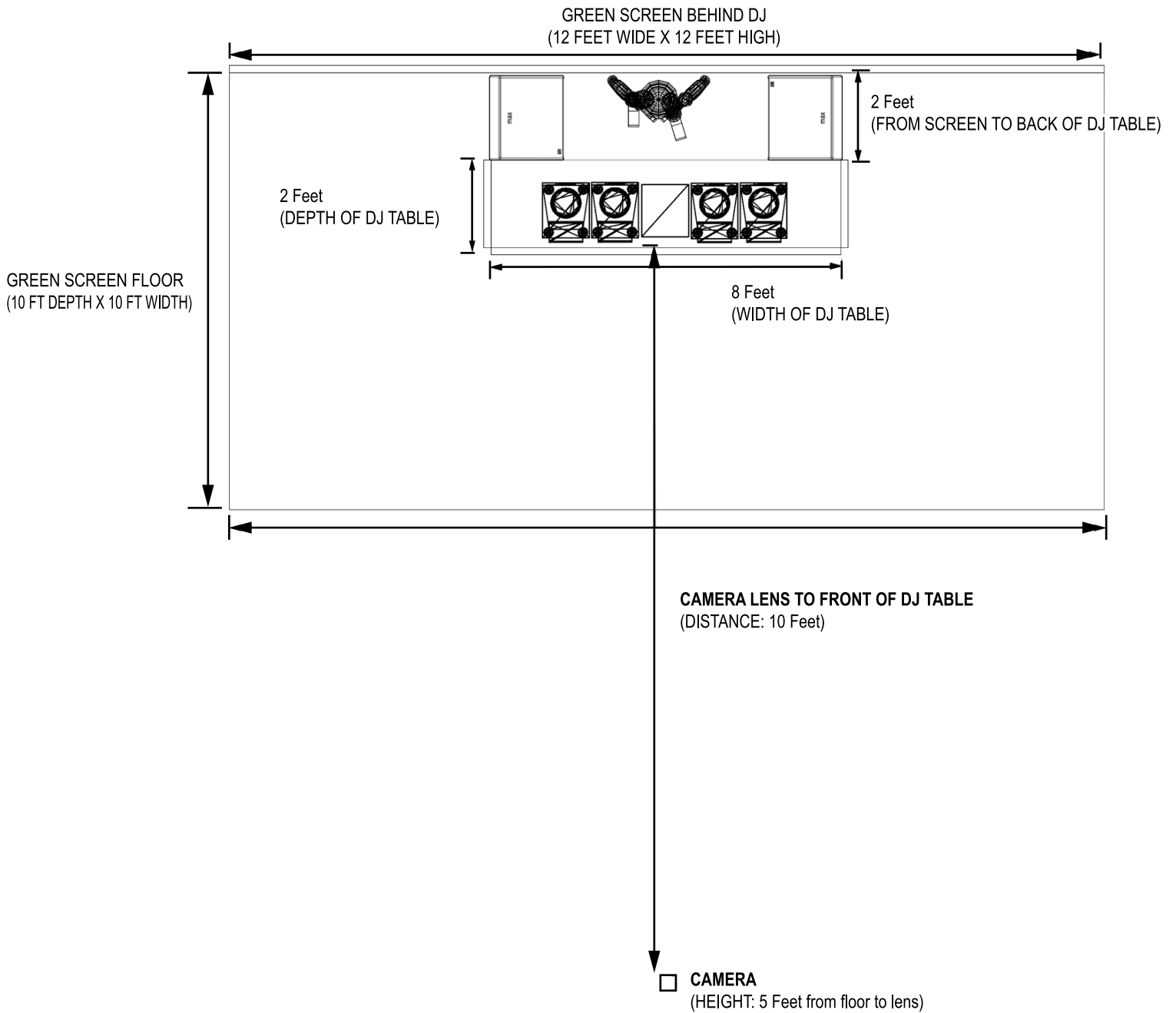
5. PERFORMANCE (ALSO COMMUNICATED TO ARTIST)

- Before the recording starts we ask artist to cue their first track (and leave the DJ booth).
- Once recording has started the artist must walk behind the DJ booth from the LEFT side and begin their session.
- At the end of their session, they must fade out their audio and walk off 'set' to the LEFT (the way they entered).

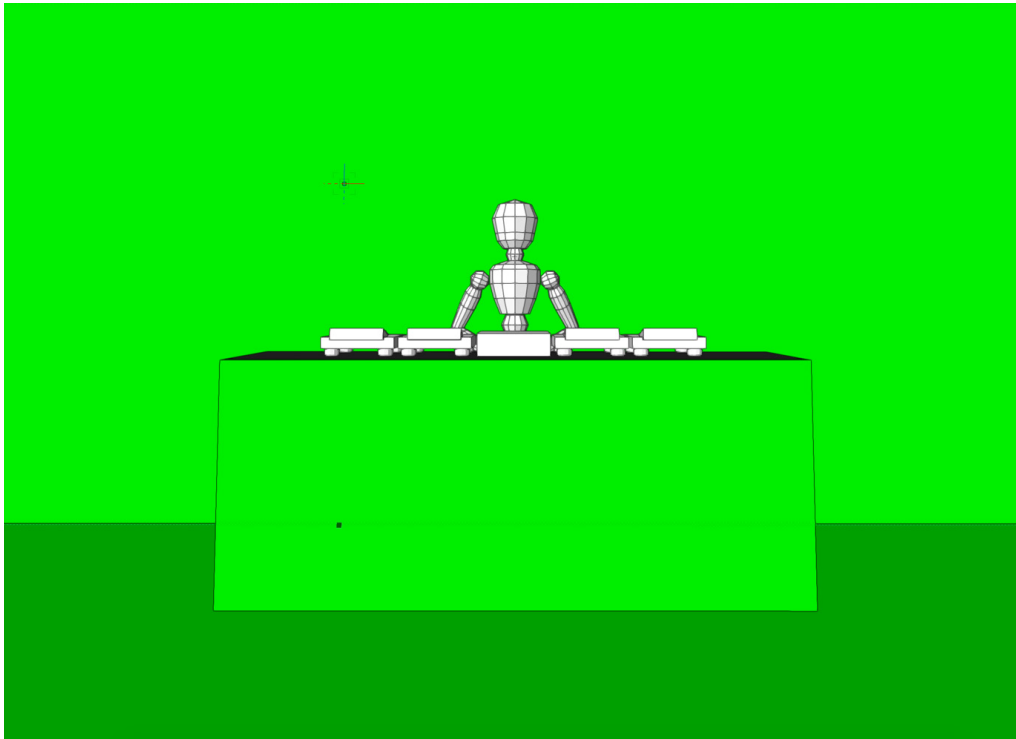
SETUP DIAGRAM- SIDE VIEW



SETUP DIAGRAM- TOP VIEW



FRAME



GEAR LIST

DJ PLAYERS:

Pioneer CDJ-3000
Pioneer CDJ-2000NX2 (pair)
Denon SC6000 (pair)
Technics Turntables 1200MK5 (pair)

MIXERS:

Pioneer DJM-900NX2
Pioneer DJM-S9
Denon X1850

CONTROLLERS:

Pioneer DDJ-1000SRT
Pioneer DDJ-SX3
Denon Prime 4
NI Traktor S4
NI Traktor S2

DJ BOOTH MONITORS:

Behringer Eurolive VP1220F (pair)
Harbinger Vari V2315 (pair)
Pioneer BULIT8 (pair)

CAMERA POSITION:

Profile
Overhead
Side view

VIDEO:

Screen wall size 12 x 12
Resolume Arena
OBS

LIGHTING:

EL Gato